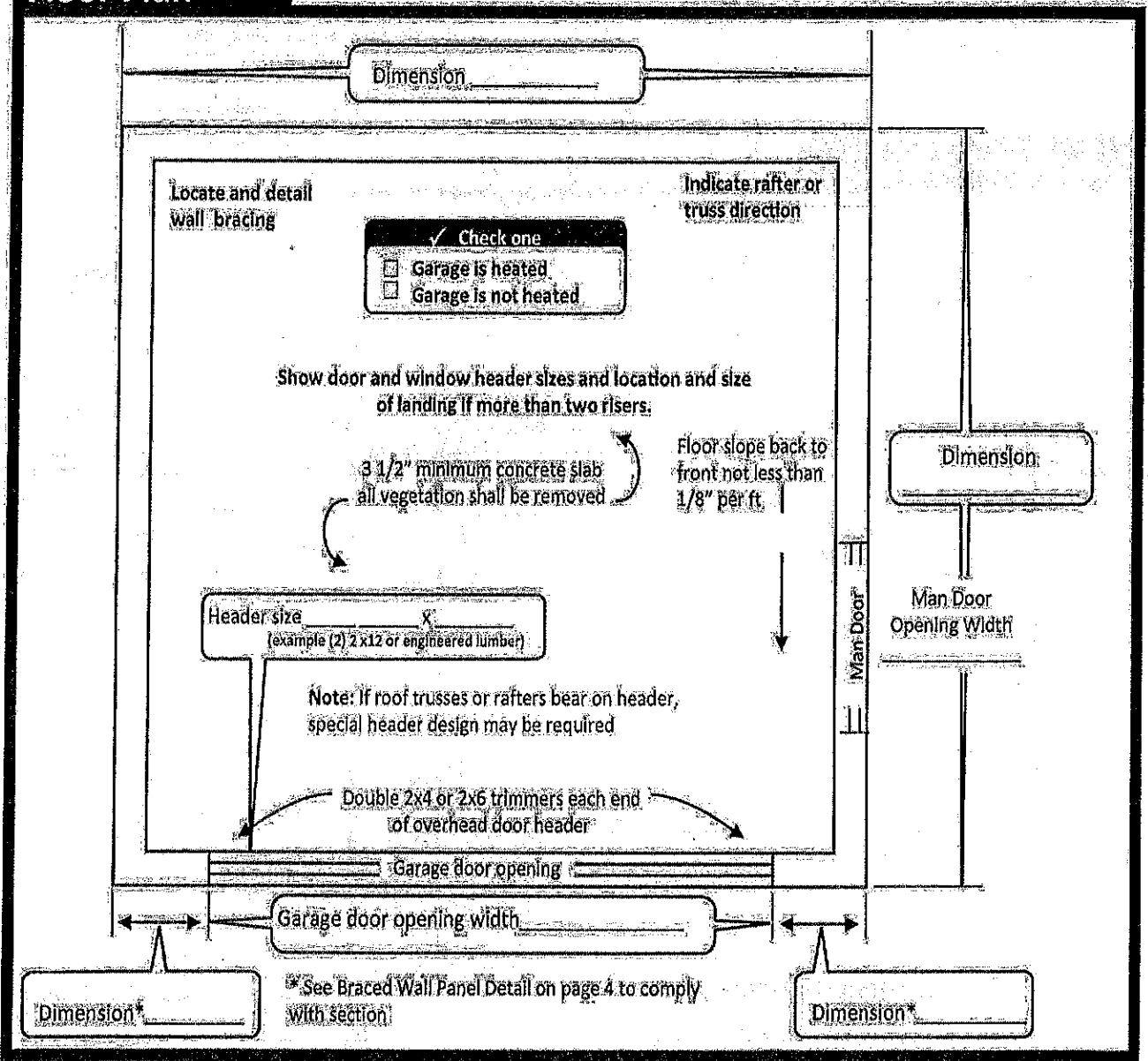


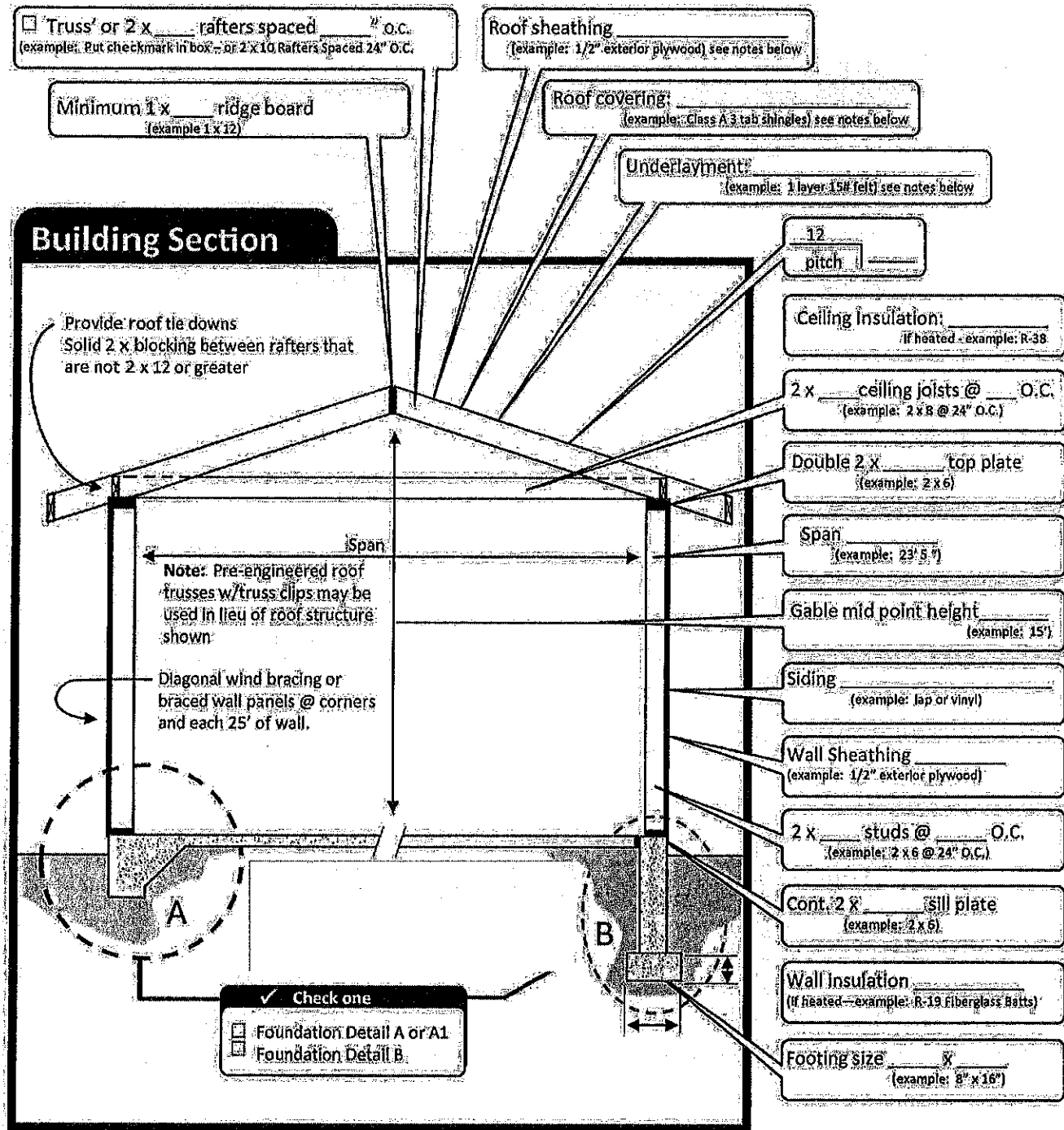
SINGLE STORY DETACHED GARAGE

Note: Heated garages may require special provisions.

Floor Plan



SINGLE STORY DETACHED GARAGE



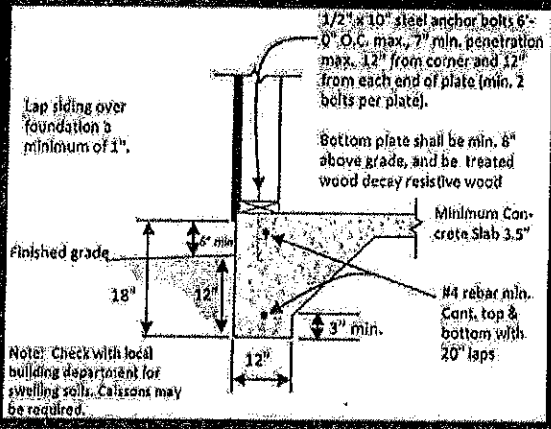
Frost Protection: Except where otherwise protected from frost, foundation walls, piers and other permanent supports of building and structures shall be protected from frost by one or more of the following methods:

1. Extend below the frost depth of 36" for the top of the footing.
2. Heated structures insulated as detailed in Table 403.3(4).
3. Constructed in accordance with ASCE 32 for heated and unheated structures.
4. Constructed on solid rock.

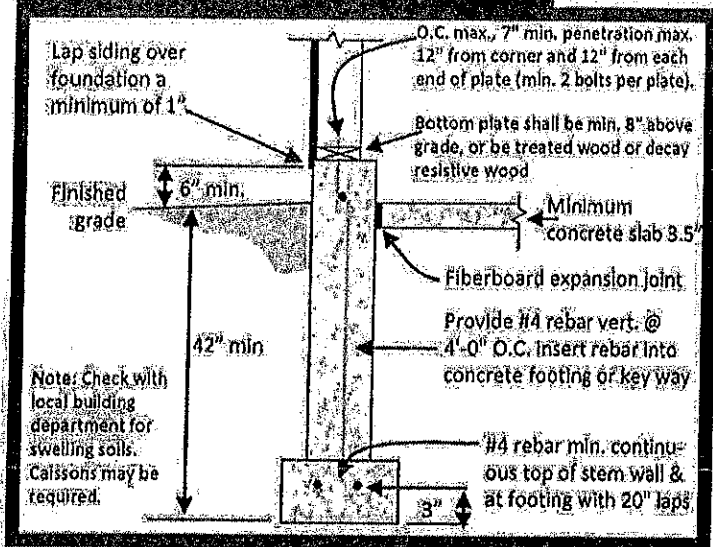
Frost Protection Exemptions:

1. Freestanding accessory structure of *light frame construction* with an area of 600 square feet or less and a eave height of 10' or less.
2. Freestanding accessory structure of constructed of *anything other than light frame construction* with an area of 400 square feet or less and an eave height of 10' or less.

Foundation Detail A



Foundation Detail B



Foundation Detail A1

